

WE'RE THE COMPANY THAT BRINGS YOU KALEI...



AND KALEI BRINGS YOU THE WAVERLEY GLEN P-440

Unique and innovative, the stylish Waverley Glen P-440 stretches the boundaries of portable ceiling lifts. Ceiling lifts dramatically reduce injuries resulting from the handling of patients/residents in both institutional and homecare settings. The P-440 has been designed with a full set of standard features and can be operated safely by a single caregiver.

The P-440 is designed to be light, easy to hold and is capable of lifting up to 440 lbs (200 kgs).

WAVERLEY GLEN
A PRISM MEDICAL COMPANY

Prism Medical

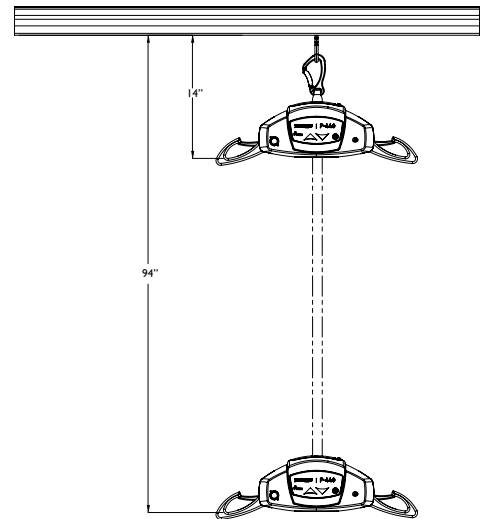
U.S.A. 45 Progress Parkway, Maryland Heights, MO USA 63043 | T 314.692.9135 | 1.866.891.6502

Canada 480 University Avenue, Suite 100, Toronto, ON Canada M5G 1V2 | T 416.260.2145

www.prismmedicaltd.com

WAVERLEY GLEN P-440

PORTABLE



WE'RE THE COMPANY THAT BRINGS YOU PORTABLE FLEXIBILITY.

The P-440 solves many of the problems that make patient transfer complex or difficult. It's lightweight, portable, and designed to provide complete control for the caregiver. In addition, it offers a wide range of safety mechanisms to assure confidence throughout the transfer.

PRODUCT HIGHLIGHTS

- Lightweight and portable
- Integral full-width carry bar with unique contoured shape for optimal client comfort
- On-board controls allow the caregiver to operate the system. An optional hand control is also available
- The P-440 is charged with a standard plug and socket
- Safety mechanisms include an over-speed governor, built-in safety limits, slack strap sensor and emergency lowering
- Patient safety is assured with positive locking latches, securing the sling each and every time
- The P-440 offers a comfortable built-in ergonomic handle, allowing the caregiver to carry and transport with ease
- The handle doubles as a connection point to allow for room to room transfers eliminating the need for costly home modifications

TECHNICAL SPECIFICATIONS

- Charger Output: 24 VDC, 1.5 Amps
- Batteries: 24 VDC (2 x 12 VDC), 2.3 AH
- Lift Case: Flame Retardant ABS
- Hand Control: Pneumatic
- Lifting Range: Up to 80" (200 cm)
- Unit Weight: 10.5 lbs (4.8 kgs)
- Maximum Load: 440 lbs (200 kgs)

WAVERLEY GLEN
A PRISM MEDICAL COMPANY

Prism Medical

U.S.A. 45 Progress Parkway, Maryland Heights, MO USA 63043 | T 314.692.9135 | 1.866.891.6502

Canada 480 University Avenue, Suite 100, Toronto, ON Canada M5G 1V2 | T 416.260.2145

www.prismmedicaltd.com